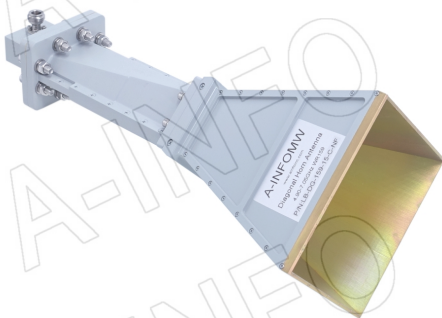


For reference only. See data sheet for the detailed specifications.

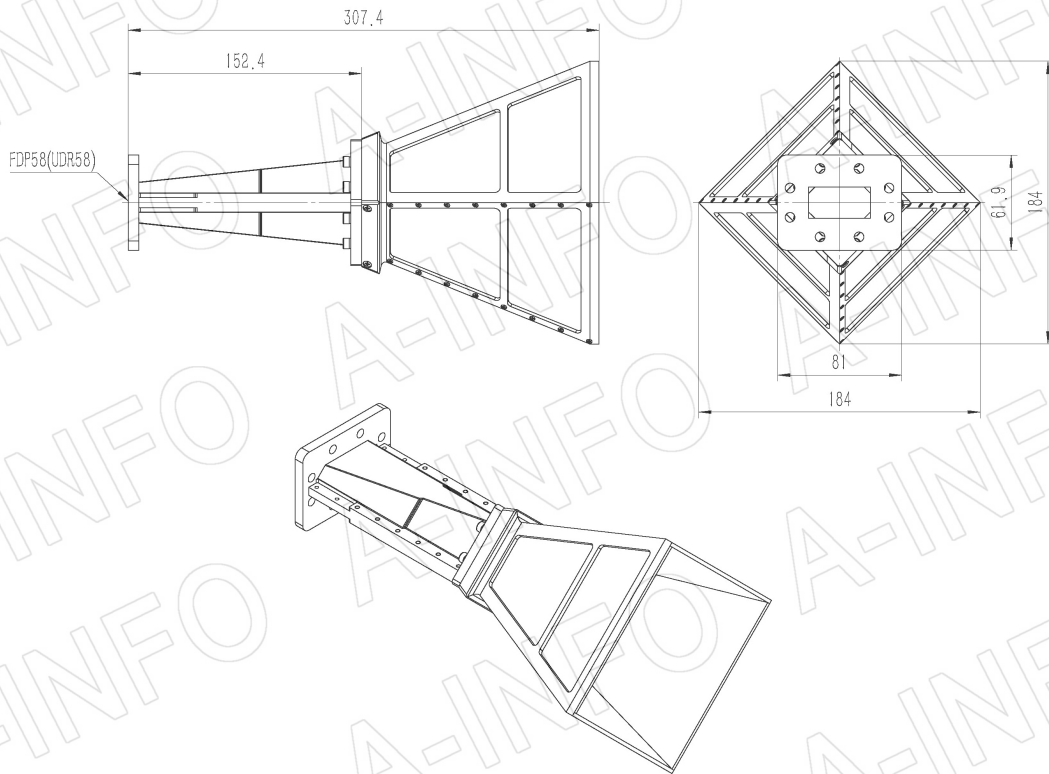
## Technical Specification



Frequency Range(GHz)	4.90 – 7.05
Waveguide	WR159
Gain(dBi)	15 Typ.
Polarization	Linear
3dB Beamwidth(deg)	E Plane: 24 Typ.
	H Plane: 23 Typ.
Side Lobe Level(dB)	E Plane: 36 Min.
	H Plane: 40 Min.
Cross Pol. Isolation(dB)	40 Typ.
VSWR	A Type: 1.20:1 Max.
	C Type: 1.50:1 Max.
Output	A Type: FDP58(UDR58)
	C Type: N-Female or SMA-Female or TNC-Female or 7mm or 3.5mm-Female
Material	Al
Finish	Chemical Conversion Coating, Gray Paint
Size(mm)	A Type: 184 x 184 x 307.4
	C Type: 184 x 184 x 357.4
Net Weight(Kg)	A Type: 0.78 Around
	C Type: 1.02 Around

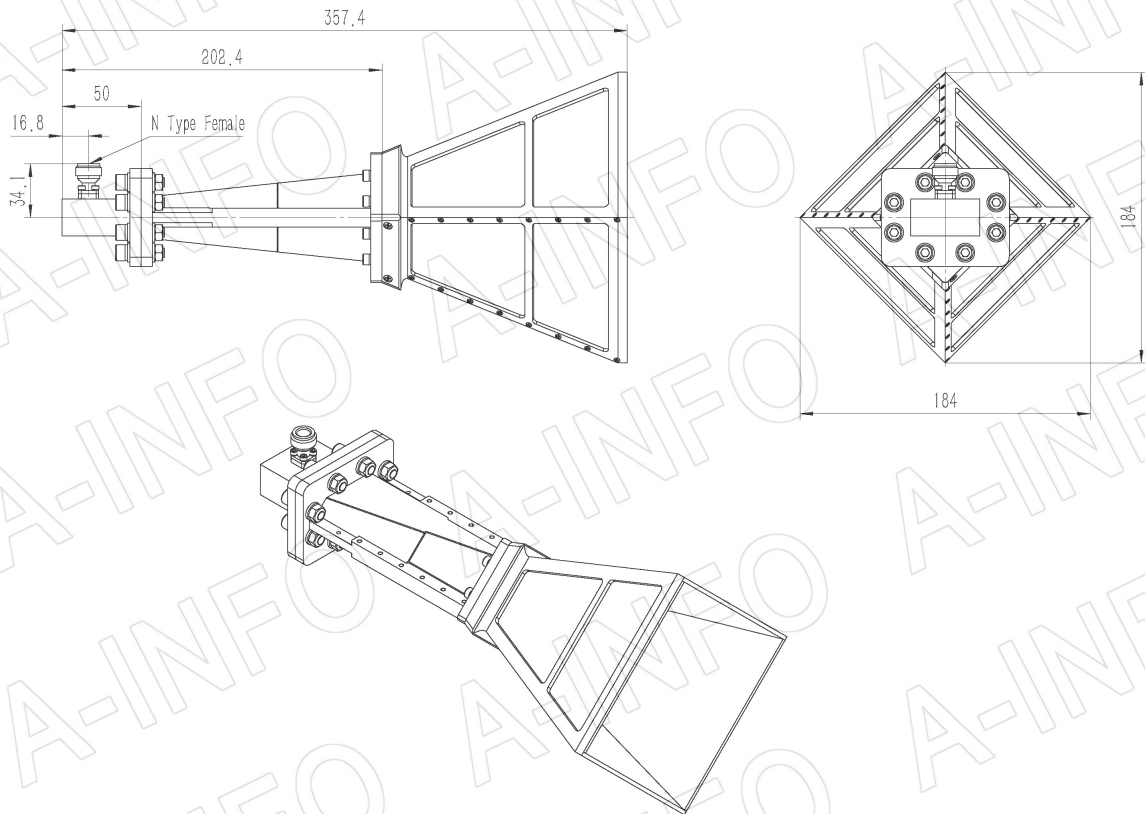
## Outline Drawing (Size: mm)

FDP58 Output (P/N: LB-DG-159-15-A)



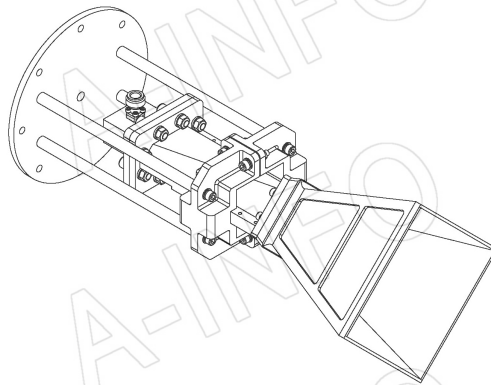
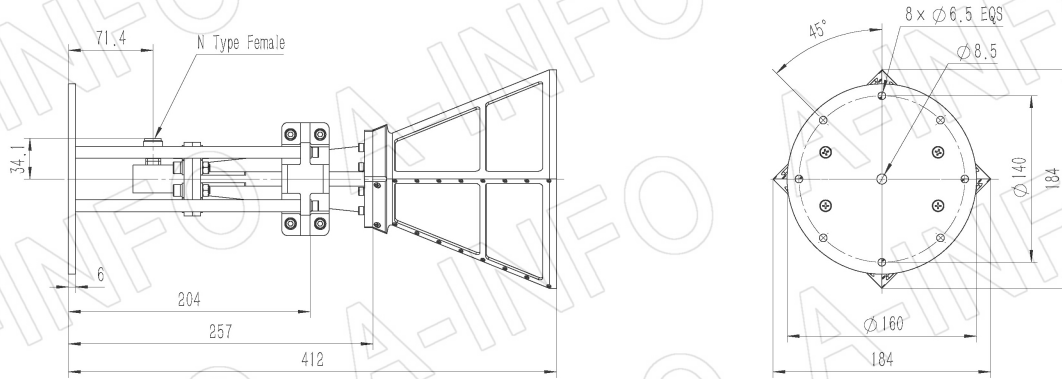
## N-Female Output (P/N: LB-DG-159-15-C-NF)

For SMA-Female, TNC- Female, 7mm or 3.5mm-Female output outline drawing, please contact A-INFO.

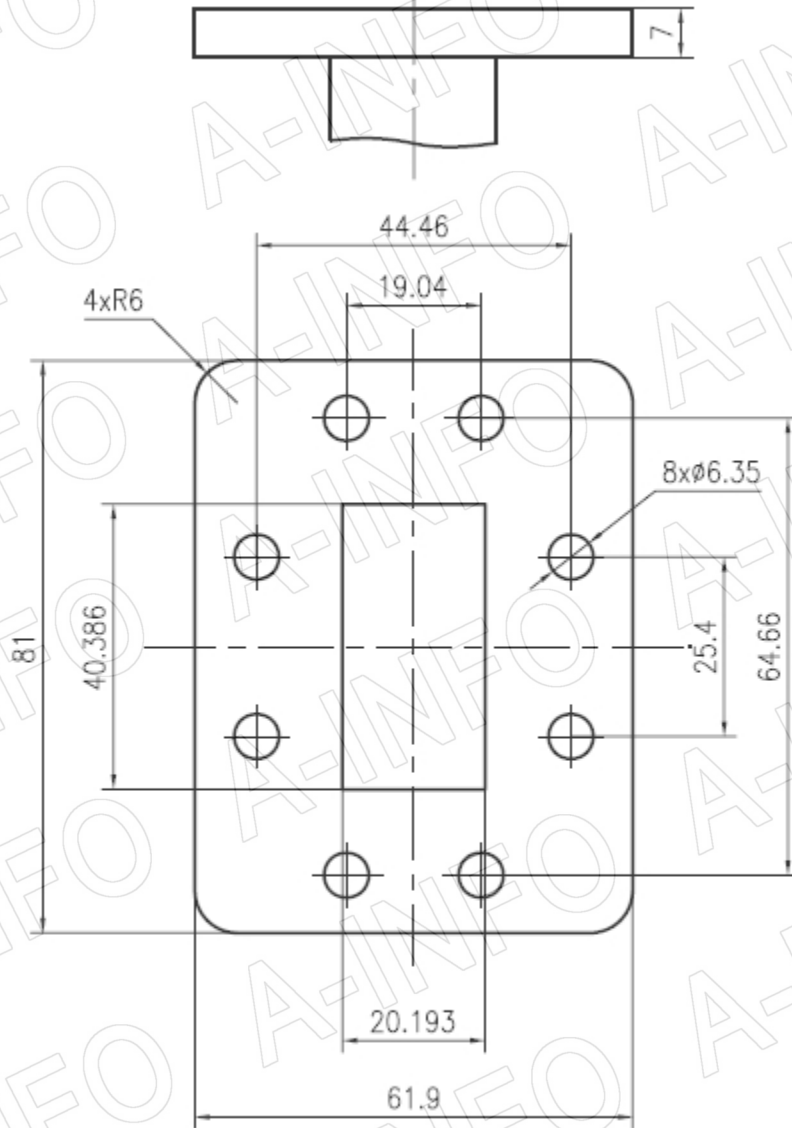


**N-Female Output with Round Mounting Bracket (Option, P/N: LB-DG-159-15-MB)**

For SMA-Female, TNC- Female, 7mm or 3.5mm-Female output outline drawing, please contact A-INFO.



## Flange Drawing (Size: mm)



FDP58

### AINFO Inc.

China(Beijing): Tel: (+86) 10-6266-7326,  
China(Chengdu): Tel: (+86) 28-8519-2786,  
USA : Tel: (+1) 949-639-9688,

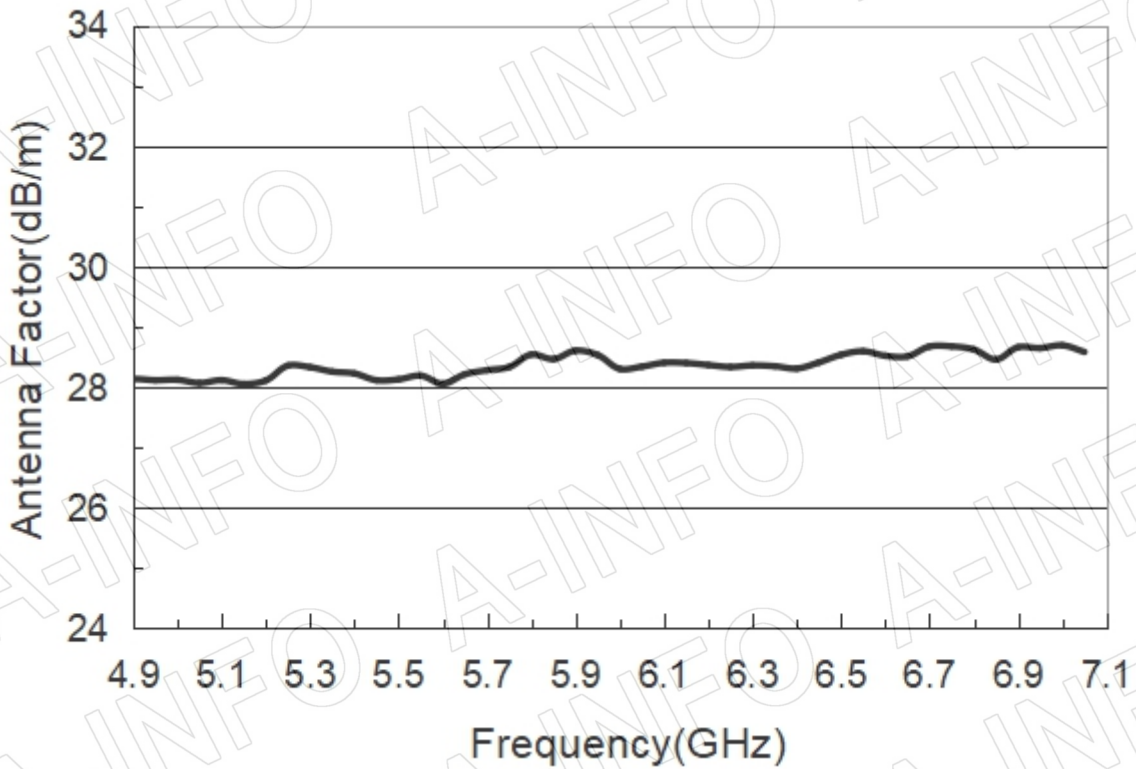
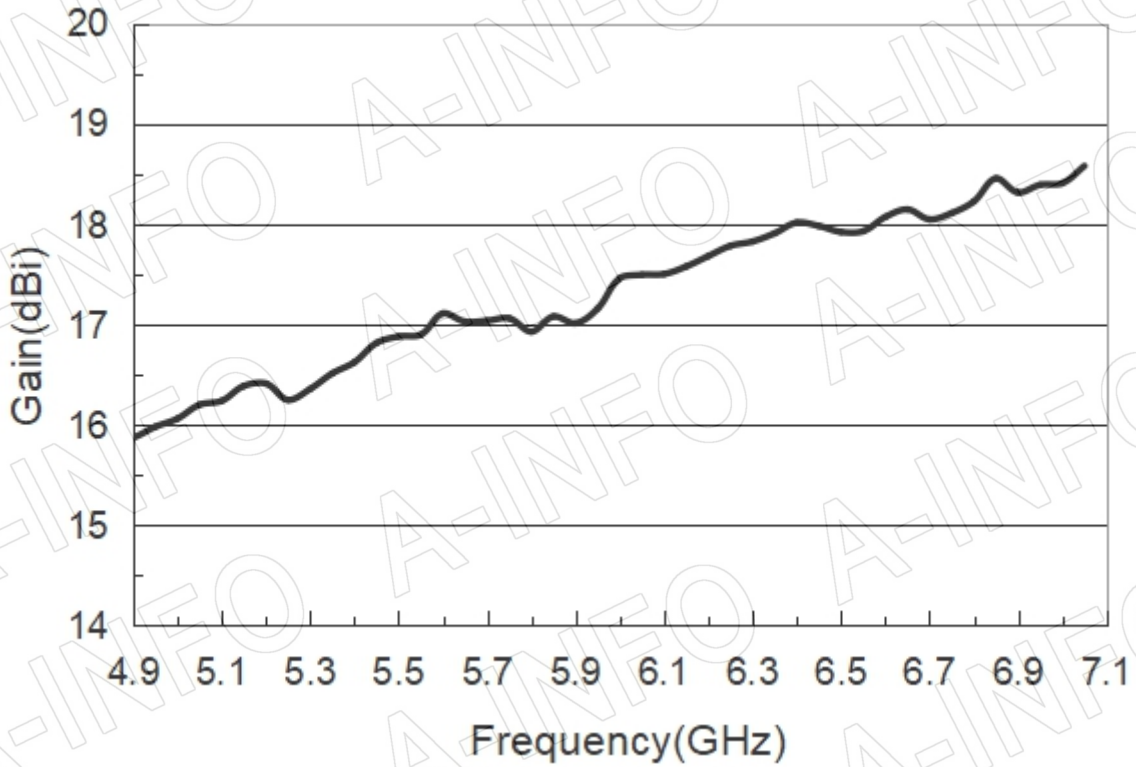
Page 4 of 8

(+86) 10-6266-7327 Fax: (+86) 10-6266-7379  
(+86) 28-8519-3044 Fax: (+86) 28-8519-3068  
(+1) 949-639-9608 Fax: (+1) 949-639-9670

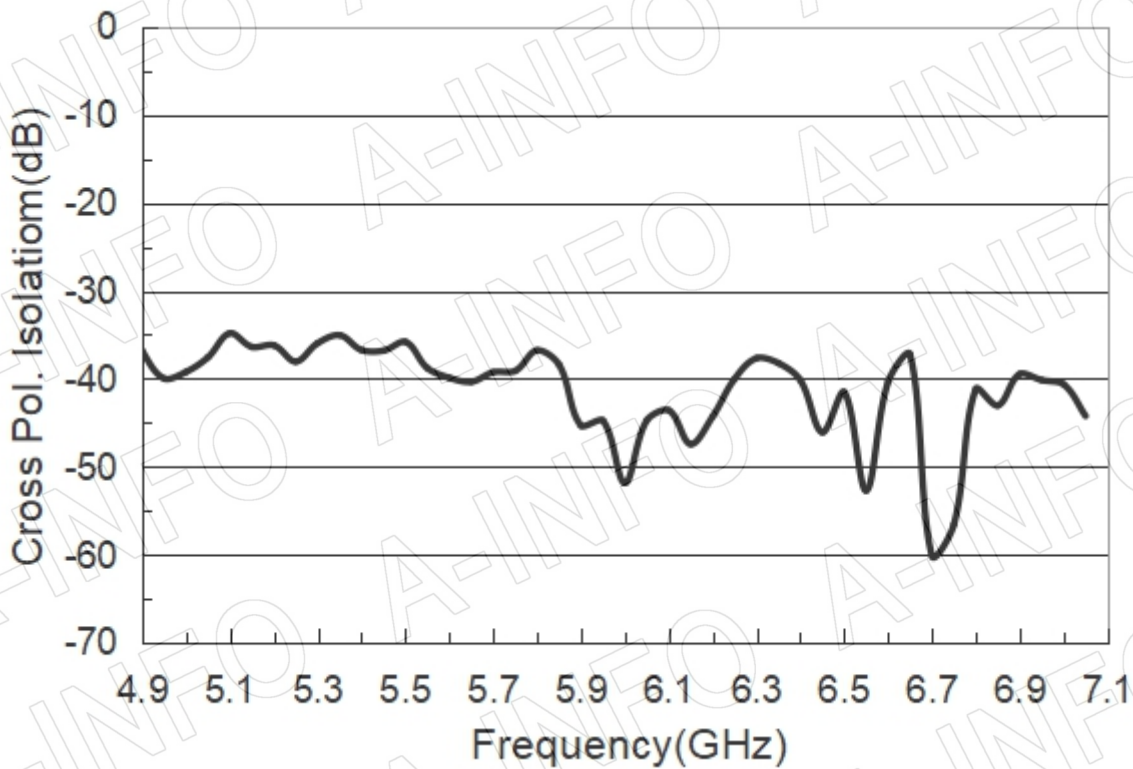
Website: [www.ainfoinc.com](http://www.ainfoinc.com)  
Email: [sales@ainfoinc.com](mailto:sales@ainfoinc.com)

## Test Results

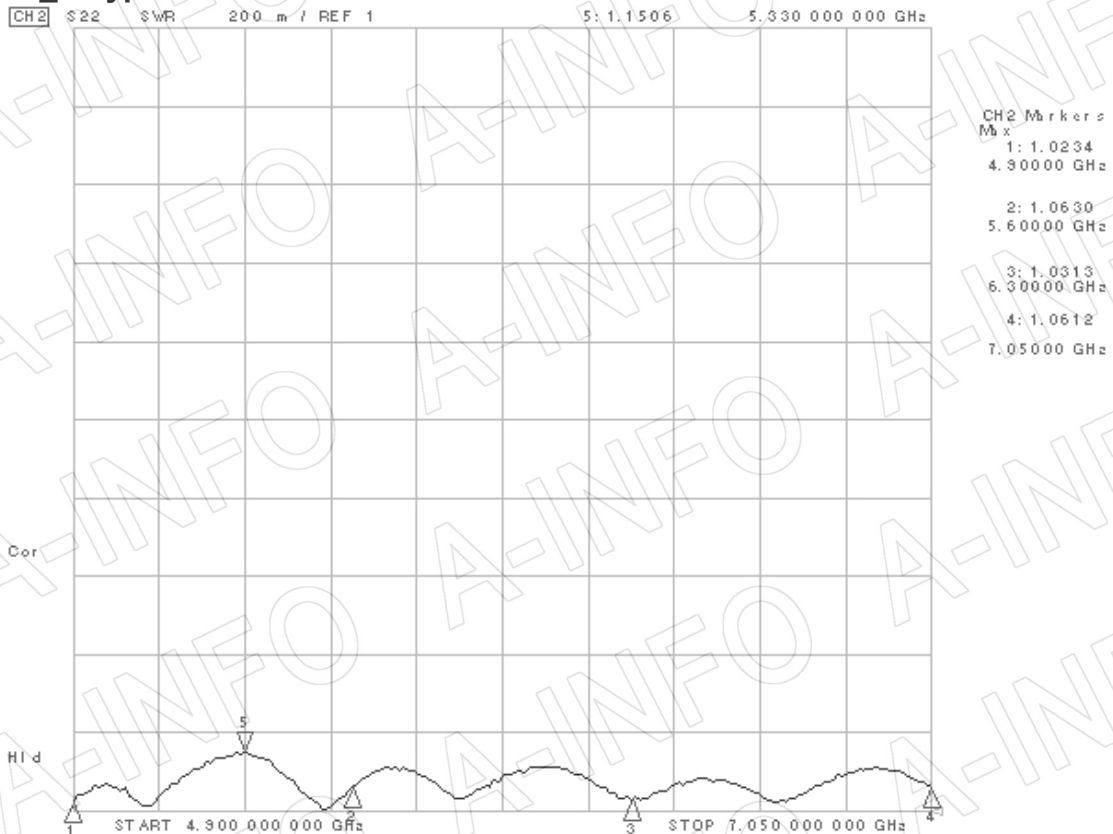
### 1. Gain & Antenna Factor



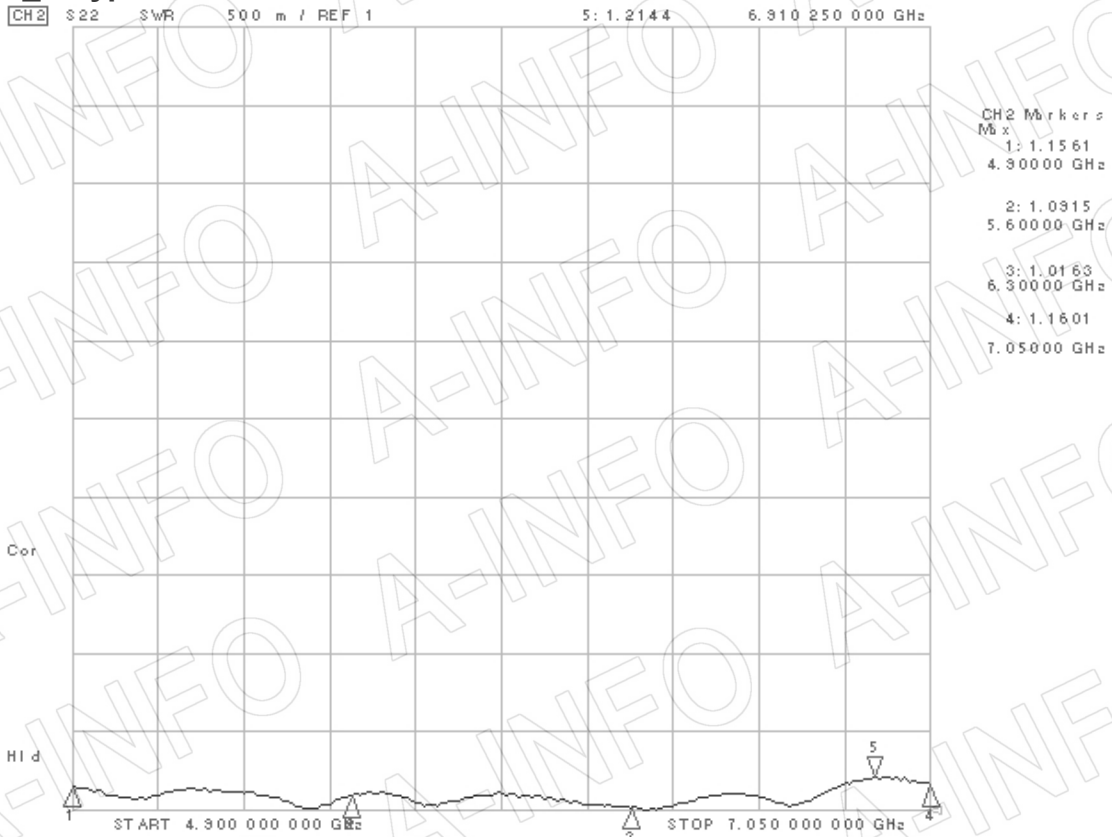
## 2. Cross Polarization Isolation



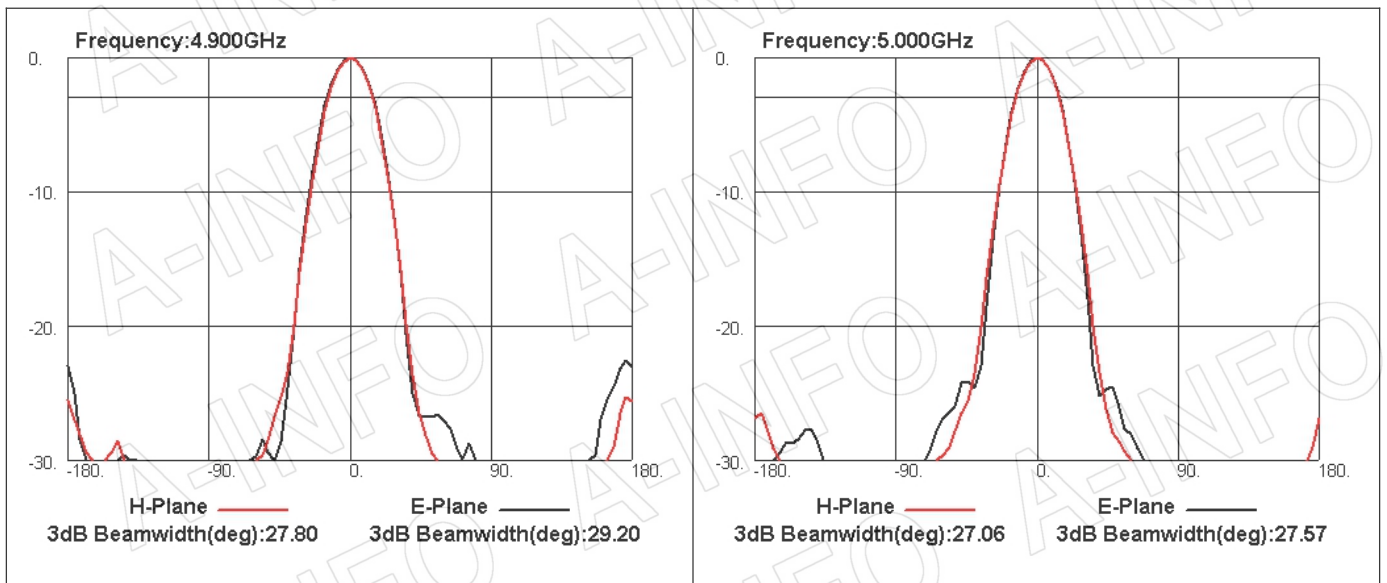
## 3. VSWR\_A Type



## VSWR\_C Type



## 4. Pattern



AINFO Inc.

China(Beijing): Tel: (+86) 10-6266-7326,  
 China(Chengdu): Tel: (+86) 28-8519-2786,  
 USA: Tel: (+1) 949-639-9688,

Page 7 of 8  
 (+86) 10-6266-7327  
 (+86) 28-8519-3044  
 (+1) 949-639-9608

(+86) 10-6266-7379  
 Fax: (+86) 28-8519-3068  
 Fax: (+1) 949-639-9670

Website: www.ainfoinc.com  
 Email: sales@ainfoinc.com

